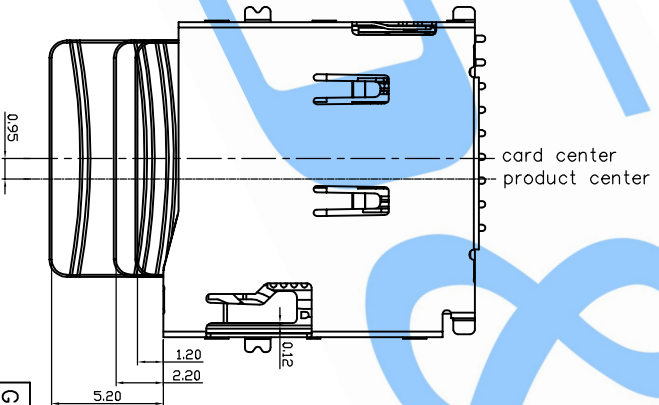
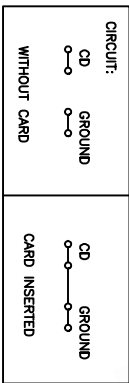
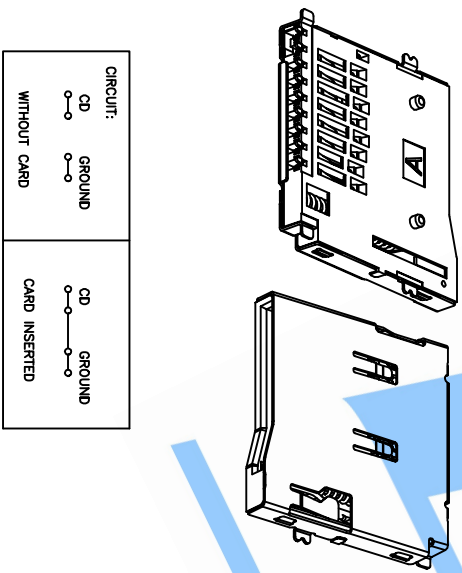
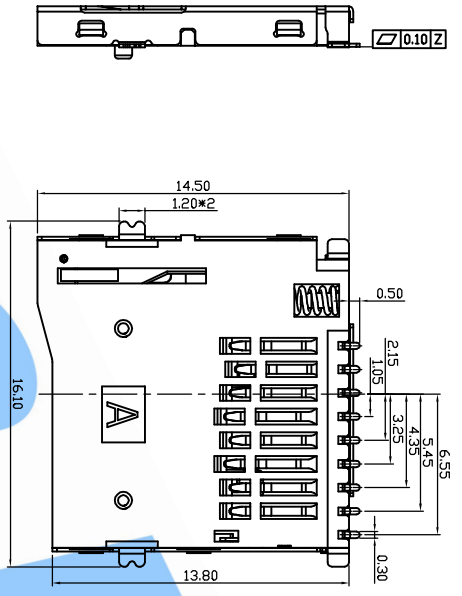
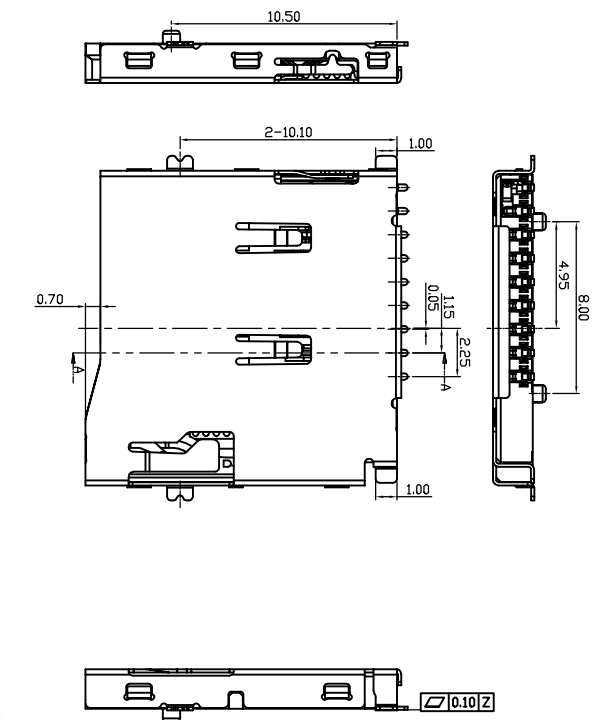
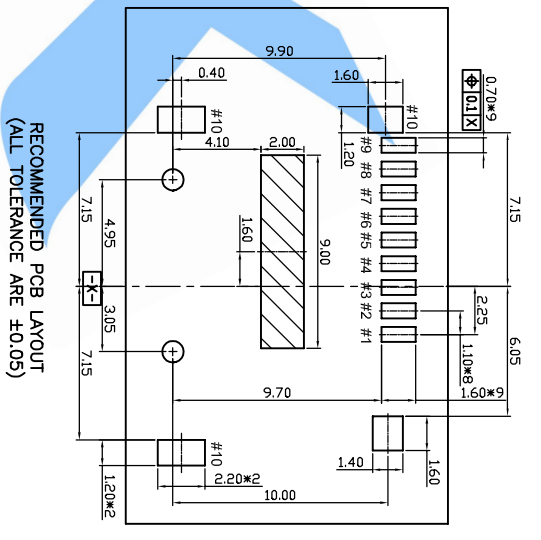


REV.	ECONO.	MODIFY/CONTENT	DATE
A		NEW	2012/08/03



Pin No.	MICRO SD
PN1	DATA 1P
PN2	CD/DATA 2P
PN3	CMD 3P
PN4	VDD 4P
PN5	CLK 5P
PN6	VSS 6P
PN7	DATA 7P
PN8	DATA 8P
PN9	CARD DETECT
PN10	ROUND



RECOMMENDED PCB LAYOUT  
(ALL TOLERANCE ARE ±0.05)

PROHIBITION AREA

SPECIFICATION

1. Material: housing: LCP, U194V-0,color:black, orbit: PA46, U194V-0,color:black, Contacts: Phosphor Bronze, Tin 160μ at Solder Tail, Selected Gold on Contact Area Plating, Shell: Stainless, Pickling
2. Electrical Characteristics:
  - Operating voltage : 100V AC(rms)/DC.
  - Current rating : 0.5 A, -25°C~+85°C.
  - Operating Temperature: -25°C~+85°C.
  - Insulation resistance: 1000M ohms min. at 250VDC
  - Dielectric withstanding voltage:500 VAC/1minute.
  - Contact resistance: 100m ohms max.
3. Mechanical characteristics
  - 3.1 Mating durability:10000 cycles.
  - 3.2 Insertion force: 2.0Kgf Max.
  - 3.3 Extraction force: 0.5Kgf Min.
  - 3.4 Mating cycle: 10000 cycles at the speed rate of 400-600 cycles/hr. Without distortion of plastic and serious wear and tear in terminal, No signal break.
4. MAJOR DIMENSION: ▼

GENERAL TOLERANCE	DWG NO.	APPD:	WIND	Scale	UNIT
X±0.45	X:±5			1:1	mm
X±0.35	X:±2				
.XX±0.25	.XX:±1				
.XXX±0.15	.XXX:±0.5				
SHEET 1/1					

T-FLASH 外焊 PUSH

Title	CHKD:	Date
Part NO.		2012/08/03

5&K ELECTRONICS CO.,LTD