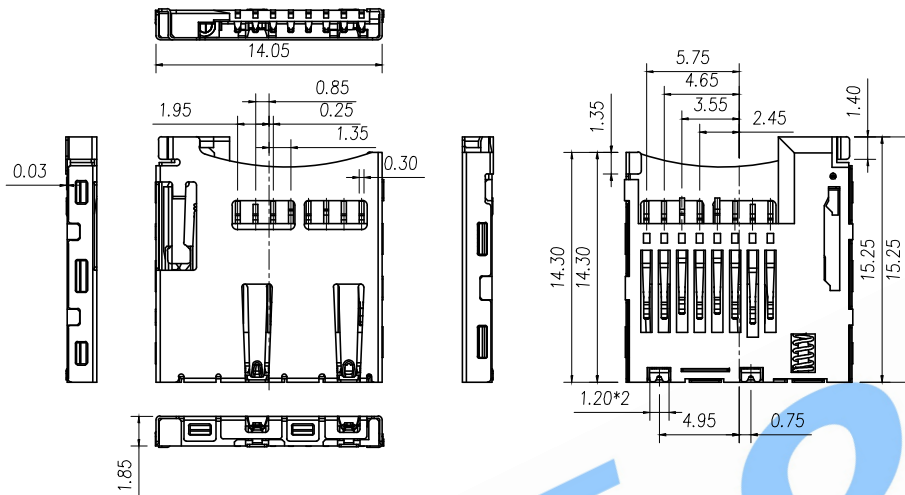
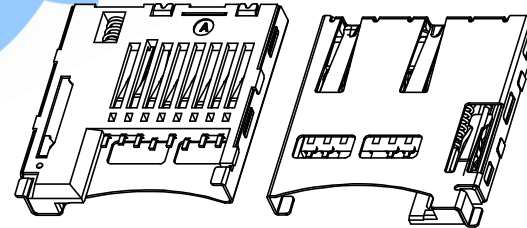
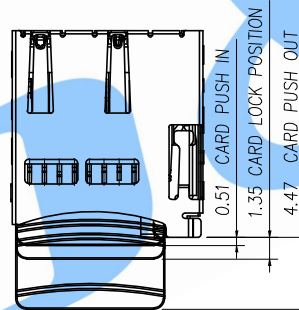
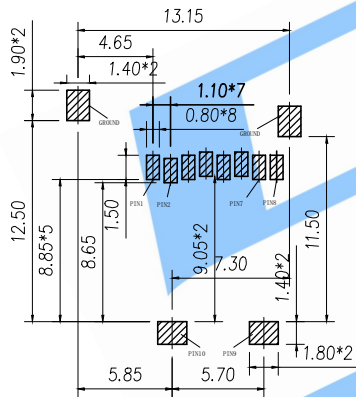


REV.	EC#	DESCRIPTION	DATE	DRAWING	CHECKED	APPROVED
A		NEW RELEASE	07/06'13	YZZ	—	ZXH



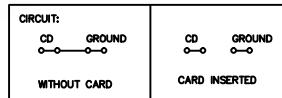
Specifications:

- 1: Electrical characteristics
 - 1-1: Contact current rating: 0.5A Max.
 - 1-2: Contact resistance: 100 milli-Ohm Max.
 - 1-3: Insulation resistance: 250V DC or 300V AC for no less than 1 minute
- 2: Mechanical characteristics
 - 2-1: Mating durability: 10000 cycles.
 - 2-2: Insertion force: 2.0Kgf Max.
 - 2-3: Extraction force: 0.5Kgf Min.
- 3: Environmental characteristics
 - 3-1: Operation temperature range: -25°C to +85°C



Pin No.	MICRO SD
PIN1	DAT2 1P
PIN2	CD/DAT3 2P
PIN3	CMD 3P
PIN4	VDD 4P
PIN5	CLK 5P
PIN6	VSS 6P
PIN7	DAT0 7P
PIN8	DAT1 8P
PIN9	CARD DETECT
PIN10	

PCB HOLES(PATTERN SIDE) t=1.60mm
NOTE: GENERAL TOLERANCE: ±0.1mm



MILLIMETERS	INCH	UNITS	ELECTRONICS CO.,LTD		
X. ^o ± 2'	X. ^o ±	MM	PART NUMBER: TITLE: TF PUSH 内焊 H1.85		
.X ± 0.35	.XX ±	MAT'L			
.XX ± 0.25	.XXX ±	SEE NOTES	DWG NO.:		
.XXX ± 0.15	.XXXX ±	FINISH	APPD: xie	DR: xie	
THESE DRAWINGS AND SPECIFICATIONS ARE THE PROPERTY OF Dong Guan Jin Bi Lai Electronic Co.,Ltd. COPIED OR USED IN ANY MANNER WITHOUT THE PRIOR WRITTEN CONSENT OF Dong Guan Jin Bi Lai Electronic Co.,Ltd			QTY	CHKD: ---	SCALE: 1:1
			SEE NOTES	DR: xie	
			REV.:	A	